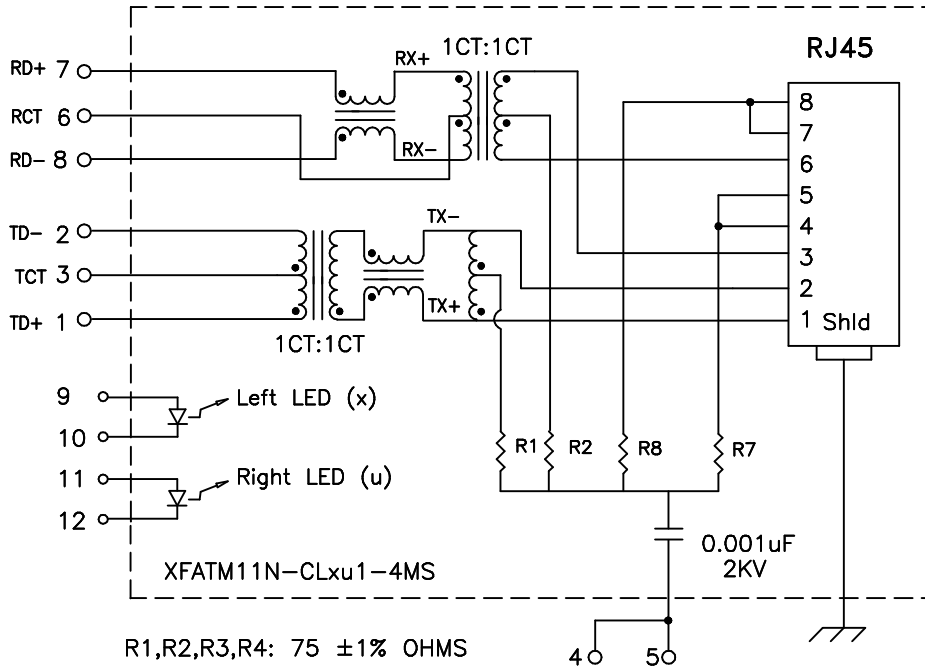


## Schematic:



## Electrical Specifications: @25°C

UTP Impedance: 100 OHMS

Turns Ratio: TX : 1CT:1CT (±2%) RX : 1CT:1CT (±2%)

Isolation Voltage: 1500 VAC (Input to Output)

UTP Side OCL: 350uH Minimum @100KHz, 100mV 8mADC

Insertion Loss (0.1MHz-100MHz): -1.0dB Maximum

Return Loss: 1MHz-30MHz 40MHz 50MHz 60MHz-80MHz  
 -18dB Typ -16dB Typ -14dB Typ -12dB Typ

CMRR: 30MHz 60MHz 100MHz  
 -35dB Min -30dB Min -25dB Min

Crosstalk: 30MHz 60MHz 100MHz  
 -50dB Min -40dB Min -35dB Min

### Notes:

1. Solderability: Leads shall meet MIL-STD-202, Method 208D for solderability.
2. Flammability: UL94V-0
3. ASTM oxygen index: > 28%
4. Temperature rating: 155°C. UL file E151556
5. Operating Temperature Range: 0°C to +70°C

Complete the Combo P/N as follows:

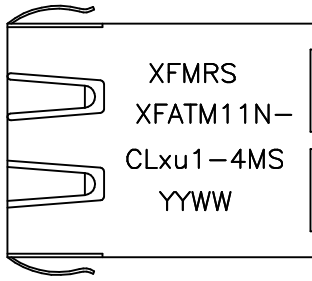
Replace 'x' & 'u' in the part number with one of the four LED color letters:

'x' = Left LED Color      Y=Yellow  
 'u' = Right LED Color    G=Green  
                                   A=Amber  
                                   R=Red

DOC. REV: A/1

<b>XFMRs Inc.</b>		Title: <b>SINGLE PORT COMBO</b>	
UNLESS OTHERWISE SPECIFIED	P/N: XFATM11N-CLxu1-4MS	REV. A	
TOLERANCES: .xxx ±0.010	DWN.	廖玉坤	Jan-22-02
Dimensions in Inch	CHK.	李清儿	Jan-22-02
SHEET 1 OF 2	APP.	Isaiah M	Jan-22-02

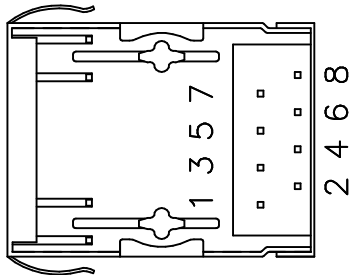
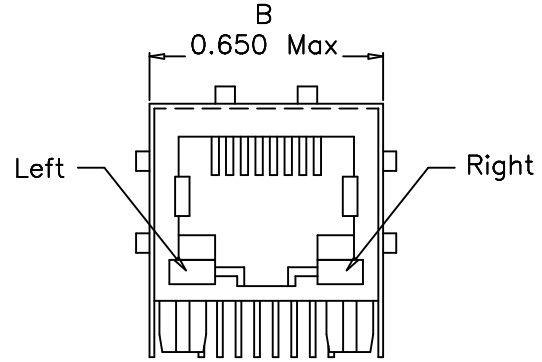
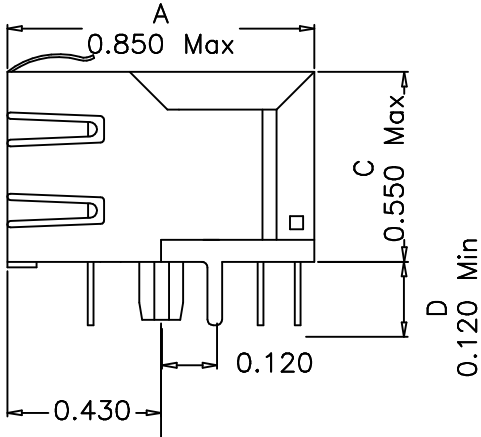
**Mechanical Dimensions:**



Complete the Combo P/N as follows:

Replace 'x' & 'u' in the part number with one of the four LED color letters:

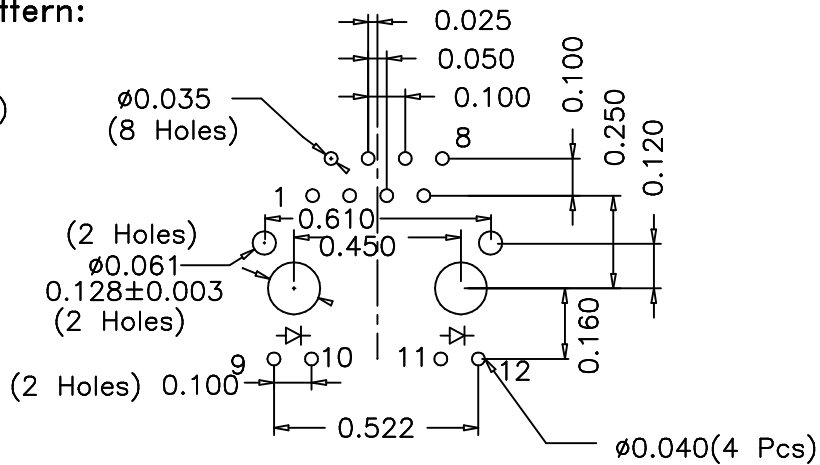
'x' = Left LED Color      Y=Yellow  
'u' = Right LED Color    G=Green  
   A=Amber  
   R=Red



(BOTTOM VIEW)

**Mounting Pattern:**

(COMP SIDE)



<b>XFMRS Inc.</b>		Title: Mechanical Dimensions For CLxu1-4MS Series	
UNLESS OTHERWISE SPECIFIED TOLERANCES: .xxx ±0.010 Dimensions in Inch	P/N: XFATM11N-CLxu1-4MS	REV.	A
	DWN.	李小锋	Jan-22-02
	CHK.	廖玉坤	Jan-22-02
SHEET 2 OF 2	APP.	Isaiah M	Jan-22-02

DOC. REV: A/1